

**CONTROLLED MANIFOLD ASSEMBLIES**

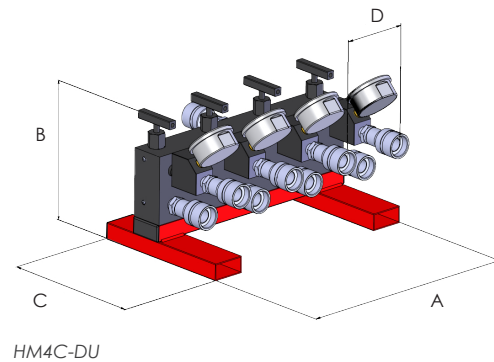
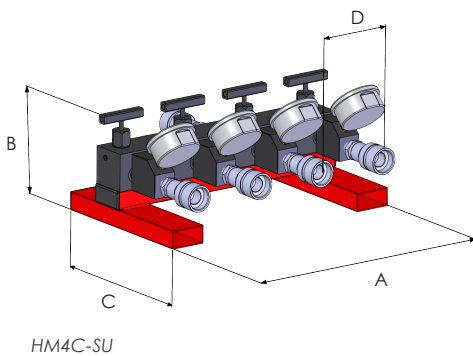
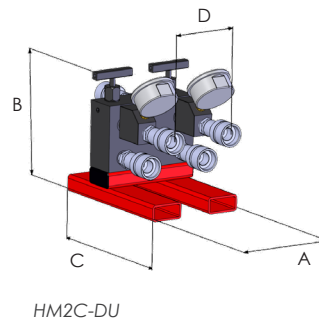
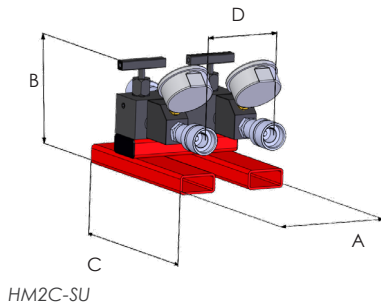


Working pressure 10000 psi

Up to 4 outlets with individual control on each

Choice of manifolds for single or double acting systems

- ▶ Pressure gauges fitted to advance ports on all models
- ▶ Quick connect couplings fitted as standard to all inlet and outlet ports
- ▶ Precise control of oil flow and pressure within the hydraulic system



Model number	Description	Weight (lbs)	Dimensions (in)			
			A	B	C	D
HM2C-SU	2-way controlled manifold unit, suitable for single acting systems	4.4	5.91	2.01	2.01	3.94
HM2C-DU	2-way controlled manifold unit, suitable for double acting systems	6.6	5.91	4.02	2.01	3.94
HM4C-SU	4-way controlled manifold unit, suitable for single acting systems	7.7	13.79	2.01	2.01	3.94
HM4C-DU	4-way controlled manifold unit, suitable for double acting systems	13.2	13.79	4.02	2.01	3.94